



 DATAKOM



D-500-LITE

INTERNET ENABLED GENSET CONTROLLER



OUTPUT VALUES

Standby Power	Voltage	230/400
Standby Power	kVA	450
Standby Power	kW	360
Standby Power	Amper	648
Prime Power	Voltage	230/400
Prime Power	kVA	405

Prime Power	kW	324
Prime Power	Amper	583

DIESEL ENGINE

Brand	VOLVO
Model	TAD1344GE
Max. Total Output Pow. (kWm/hp)	389/529
Cylinder Displacement (lt)	12.78
Cylinder Orientation	6 Single Line
Bore x Stroke(mm*mm)	131 x 158
Compression Ratio	18;1
Governor Type	Electronic
Rotation	1500 RPM
Aspiration System	TurboCharged-Intercooler
Injection	Direct
Cooling System	Water Cooled
Electrical System(V DC)	24
Oil Capacity (lt)	36
Engine Coolant Capacity (lt)	46
Fuel Cons. %50 (lt/h)	47
Fuel Cons. %75 (lt/h)	69
Fuel Cons. %100 (lt/h)	92

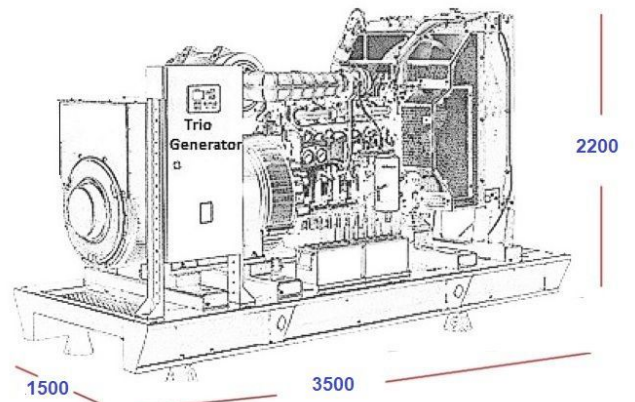
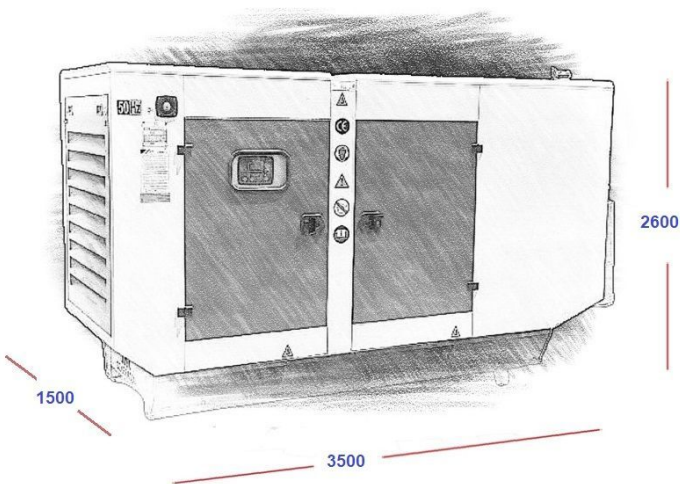
ALTERNATOR

Standby Power (kVa/kw)	450/360
Prime Power (kVa/kw)	405/324
Brand	LEROY SOMER
Output Voltage (V)	231/400
Frequency (Hz)	50
Stationary Vol. Regulation(±)	0,01
Short Circuit Current	%300 (10 sec)
Insulation	H
Protection	IP23
Efficiency (%)	92
Overloading	110% for 1 hour
Power Factor (cos Q=0.8)	0,8
Tot. Harmonic Dist. Rate	<1 %
Connection Type	Star
Number of Pole	4
Number of Bearing	Single

DIMENSIONS & WEIGHT

Without Canopy	Width	1500 mm
Without Canopy	Length	3500 mm
Without Canopy	High	2200 mm
Without Canopy	Weight	3100 kg

Without Canopy	Fuel Tank Capacity	660 lt
With Canopy	Width	1500 mm
With Canopy	Length	3500 mm
With Canopy	High	2600 mm
With Canopy	Weight	3700 kg
With Canopy	Fuel Tank Capacity	660 lt



**MADE IN
TURKEY**